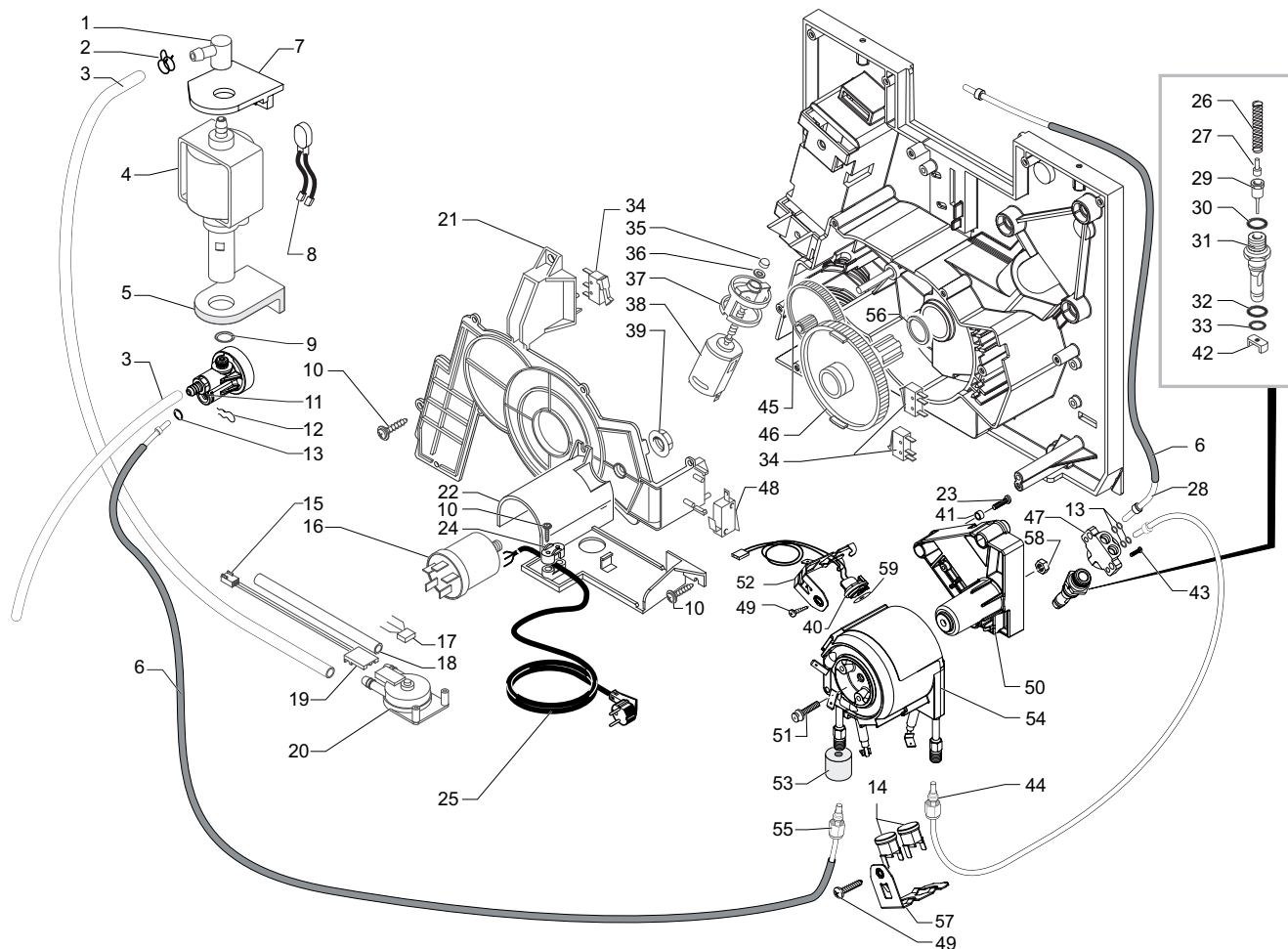


Saeco SUP 021 Y
INTERNATIONAL GROUP

CE Cod. 1000071-114-220-502

POS	CODE	DESCRIPTION	NOTE	POS	CODE	DESCRIPTION	NOTE
01	222762841	WATER CONTAINER LID SMART SILVER		43	129511921	SCREW TCB 2,9X6,4 DIN 7981 BZ SS	
02	146580950	BLACK KNOB WATER CONTAINER LID SMART		44	225920141	HANGRIP DX SMART SILVER	
03	144650800	WATER TANK FILTER		45	222360441	CASING WITH KNOB SMART SILVER	
04	142844380	CAP FOR FLOATING SPACE TRANSP/GREY		46	142602299	DUMP BOX BLACK UNPAINTED SMART	
05	9161.112.150	LEVEL FLOAT GREY		47	229630850	BLACK DRIP TRAY SMART	
06	140328461	EPDM OR METRIC 0019-10		48	181553158	TERMINAL BOARD SMART SUP021Y	230V
07	140324362	OR METRIC 0060-30 IN SILICONE			181553155	TERMINAL BOARD SMART SUP021Y	120V
08	126764718	SPRING FOR WATER CONTAINER VALVE		49	129661302	PANELVIT TCB SCREW 3X8 DIN 7505 ZNP	
09	147660562	GREY PISTON FOR WATER VALVE		50	222762741	GROUND COFF.CONTEN.LID SMART SILVER	
10	222693580	WATER CONTAINER AS.SMART TRANS/GREY		51	281561300	TOUCH PANEL ELECTRON.BOARD AS.SMART	
	222693280	AS.WATER CONTAINER GREY/TRANS.SMART	WITHOUT PART. N°3 - 6	52	149194450	BLACK SUPPORT ELECTRONIC CARD SMART	
11	129511903	SCREW TCB 2,9X6,4 DIN 7981 BZ NICK			149194418	BLACK SUPPORT ELECTRONIC CARD SMART	
12	149194650	SUPPORT WATER CONTAINER W/O LAMP HOUSING		53	129533202	SCREW TSPTORX T10 3,5X9,5 D7982 NI	
	149194618	SUPPORT WATER CONTAINER W/O LAMP HOUSING		54	129912202	SCREW TCB TORX T10 3X12 UNI 9786 ZN	
13	283551900	2 POLE LEVEL SENSOR AS.SMART	230V	55	11000704	FRONT PANEL SILVER SMART S/S.SYMBOLS	
	283551955	2 POLE LEVEL SENSOR AS.SMART	120V	56	179990300	BAND FOR LIFTING L=1550 H=300 MM	
14	129660304	PANELVIT TCB SCREW 3X10 DIN 7505 BU		57	129532521	SCREW TSP2,9X9,5 DIN 7982 SS	
15	145902250	INSERT FOR DECALCIFYING FILTER		58	149260850	HOPPER BLACK GROUND COF.DOSER SMART	
16	175897200	UPPER TECHMATE INSERT FOR BOX SMART		59	145851950	GROUND COFFEE CONT.SEAL UPPER SMART	
17	175897300	LOWER TECHMATE INSERT FOR BOX SMART		60	11000518	SILVER COVER SMART S/SCREEN CAPPUCCINO	
18	147623150	SQUARE ADHESIVE FOOT 5023 BLACK			11002003	SILVER COVER SMART/UL S/SCRE.CAPPUCCINO	
19	225920241	HANGRIP SX SMART SILVER		61	127390100	BRUSH FOR CLEANING	
20	129511803	SCREW TCB 2,9X6,4 DIN 7981 NICK		62	146680850	BLACK COFFEE MEASURE SMART	
21	13000061	DISPLAY BOX SAECO INCANTO CAPPUCCINO		63	15000100	INSTRUCT.MANUAL SAECO TYPE SUP021Y	7 LANGUAGES
22	147623650	SQUARE ADHESIVE FOOT NB4256 BLACK			15000142	INSTRUCT.MANUAL SAECO TYPE SUP021Y	D/F/I
23	220380259	ROTATING RING SMART WITH 3 FEET	WITH PART. N°22	64	0301.961	WATER HARDNESS TEST	
24	222762641	BEAN COFF.CONTAIN.LID SMART SILVER		65	149501050	COFFEE DISPENSING TUBE SMART	
25	142813879	TRANS/BLU LID SAFETY AROME CAF.CONT.SMART		66	U109.030	screw AUT.TCB 2,9X16 DIN 7981 C	
26	227721359	COF.DOSE ADJUS.GREY KNOB SMART S/SC		67	229186241	COFFEE DISPENSER HEAD SUPPORT SMART/EASY	
27	U140.004	PANELVIT TCB 3,0X12 DIN 7505 B GAL		68	129910921	HI-LO TC SCREW 3X10 STEEL	
28	227721459	GRIND.ADJUSTM.GREY KNOB SMART S/SCR		69	126772718	SPRING FOR DOOR P107	
29	0701.031.150	SEAL COVER GREY		70	146313740	DISENGAGE LEVER GREY/SILVER DOOR SMART	
30	145842900	WATER CONTAIN.VALVE SEAL GACO DIM14		71	129535721	SCREW TSP3,5X9,5 DIN 7982 SS	
31	0701.014.150	SEAL CONTAINER GREY		72	145898300	GREY RETAINING INSERT COFFEE DISPENSER	
32	NE03.028	MOLVENO SWITCH B1031C1181000		73	NF11.084	FOLK SPRING	
33	129661204	SCREW PANELVIT TCB 3X16 DIN7505 BRU		74	9161.384	SPACER FOR CONNECTION STEAM TUBE	
34	128310321	WASHER UNI 8842 A3 SS		75	228982341	DOOR SMART SILVER	
35	146000850	GEAR COFF. GRIND. ADJUSTMENT COMBI			222824741	SILVER COFFEE DISPENSER COVER SMART/EASY	
36	149195150	BLACK SWITCH GENERAL SUPPORT SMART		76	147921750	DEG.CONNECTOR BLAC.STEAM TUBE SMART	
37	145852360	BEAN COFFEE CONTENIT.SEAL SMART		78	222822641	COVER CONNEC.STEAM TUB.SMART SILVER	
38	146001950	COFFEE DOSE ADJ.GEAR BLACK SMART		79	147370850	BLACK MOBILE PART COFFEE DISPENSER SMART	
39	147755800	INT.CASING PROTECTION POWER CABLE		80	229170450	SEALING SUPPORT AS.WATER DRIP TRAY	
40	148601650	GROMMET FOR POWER CABLE SMART		81	145501211	RED FLOAT FOR DRIP TRAY SMART	
41	0312.022	SEAL FOR VALVE CONTAINER		82	142713879	BEAN CONTAINER TRANSP/BLUE SMART	
42	226481441	DOOR HINGE KIT SMART SILVER		83	225741041	GRATE FOR SMART PAINTED SILVER	

Saeco SUP 021 Y
INTERNATIONAL GROUP

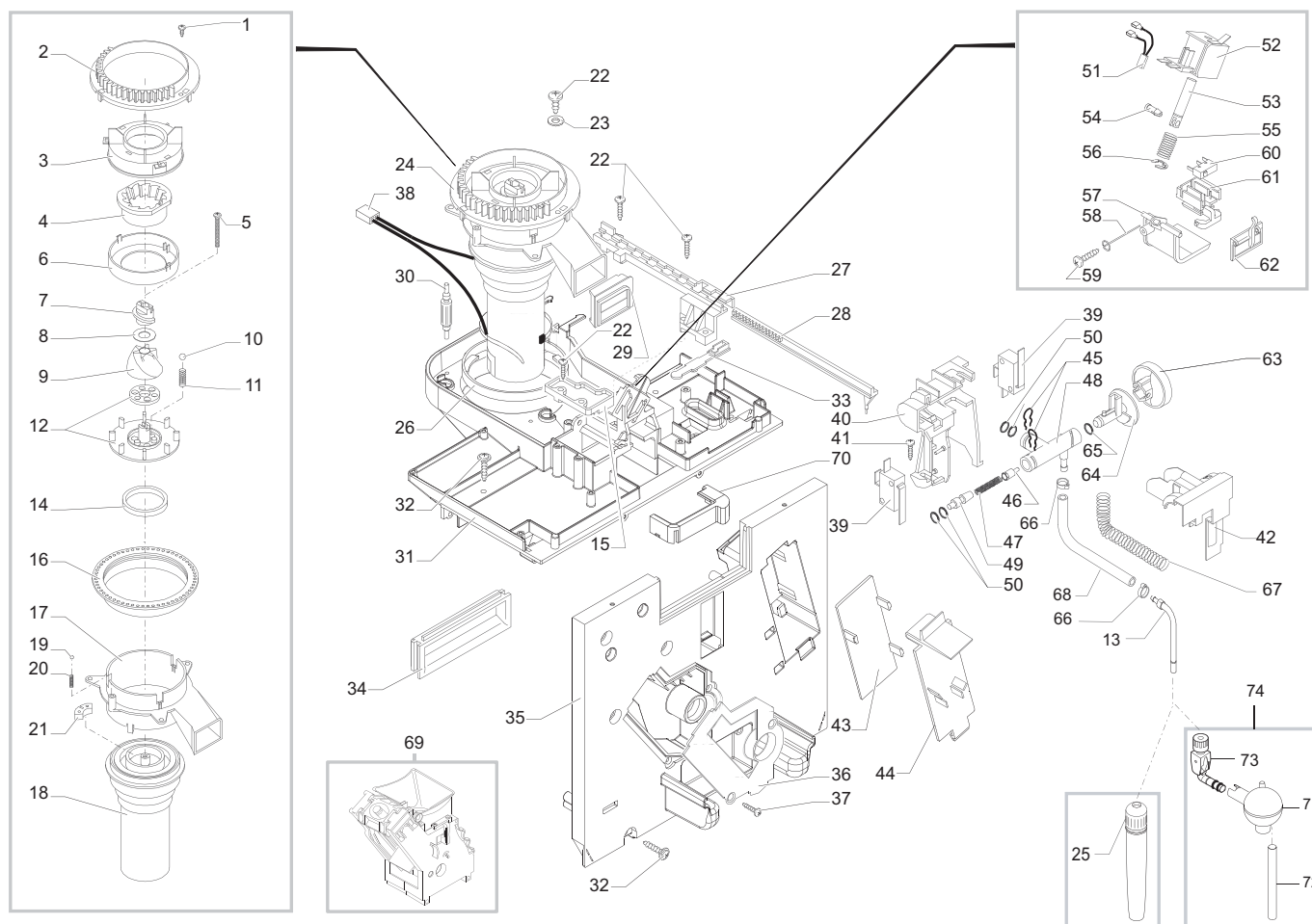


Saeco SUP 021 Y
INTERNATIONAL GROUP

CE Cod. 1000071-114-220-502

POS	CODE	DESCRIPTION	NOTE	POS	CODE	DESCRIPTION	NOTE
01	147920150	90° CONNECTOR PUMP INLET		37	9121.044	ANTIVIBRATION FOR MOTOR	
02	184320200	SPRING HOSE CLAMP D=9,5MM		38	286892258	GENER.ASS.MOTOR FOR RATIOMOTOR	230V
03	149360200	SILICONE TUBE 5X8 70SR	IN ROLL	286892255	GENER.ASS.MOTOR FOR RATIOMOTOR	120V	
04	12000140	ULKA PUMP EP5/S GW	230V-50HZ	39	123453602	FLANGE NUT M8 TOOTHED BASE GALV.	
	12000130	ULKA PUMP EP5/S GW	100V-50/60HZ	40	288582200	SENSOR ASS.FOR ALLUM.BOILER AS.	
05	149185850	EATON PUMP SUPPORT MAGIC 4002012		41	9161.206	INSULATING SPACER FOR BOILER	
06	149361200	BLACK SILICON TUBE 7,5X9,3	IN ROLL	42	9011.099	CURSOR FOR BOILER VALVE IN PLASTIC	
07	149205710	PUMP SUPPORT HOLE 13,2 RED		43	129910103	HI-LO TC SCREW 3,5X15 RIF.910189	
08	0311.807	YELLOW HARNESS KLIXON JP 13	230V	44	227876800	CONNECTOR AS.TEFLON 2X4 L=235 MM	
	289201000	THERMAL. PROTECT 120 C CABLE.125/3	120V	45	9121.042	GEAR Z.12/90	
09	140321961	OR 2031 IN TERMOIL		46	9121.069.150	GEAR Z.108 FOR MOUNTING PLATE M4000	
10	129670202	PANE. TCB SCREW 3,5X16 TESTA D=8 Z		47	227900303	BRASS/NIK.CONNEC.FOR BOILER SUPPORT	
11	229452100	COMPENSATION AND SAFETY VALVE ASSY		48	186723800	MICROSWITCH SAIA X3M502K2KAM92AS	
12	9011.144	FORK FOR TUBE D.4		49	129573202	SCREW TCB PH/TT 4X8 UNI 8112 ZNP	
13	140328059	OR 2015 IN SILICONE PTFE/FDA		50	149197700	SUPPORT FOR ALLUMINIUM BOILER SMART	
14	189428200	THERMOSTAT 175° INT-08L-3794		51	129932202	ROUND HEAD SCREW 10,9 M5X20 GALV	
15	283551300	3POLE CONNECT.AS.TURBINE JP18 SMART	230V	52	126838217	SENSOR FIXING SPRING	
16	184651100	ANTIDISTURB FILTER 0,47X2+1000Y2+0,5L		53	147756562	PROTECTION FOR FOLK SPRING TUBE D=4	
17		PARTICULAR NOT AVAILABLE	SEE PART. N°20	54	282058858	ALUM.BOILER AS.WITH RESISTANCE	230V
18	JS01.022	SILICONE TUBE 5X10 60 SHORE	IN ROLL	282058854	ALUM.BOILER AS.WITH RESISTANCE	120V	
19	9161.018	FORK FOR WATERWHEEL		55	227874900	CONNECTOR AS.TEFLON 2X4 L=250 MM	
20	286473300	-M-VDE TURBINE WITH SENSOR KIT	WITH PART. N°17	56	9161.132	MYLAR WASHER FOR RATIOMOTOR	
21	9161.331.920	RATIOMOTOR COVER TRANSPARENT		57	126838117	2 THERMOSTATS FIXING SPRING	
22	149194800	TURBINE SUPPORT SMART		58	123453902	SELF-LOCKI.NUT M5X0,8 DIN 980 CLA.8	
23	129932502	SELF DRILLING SCREW 5X30 GALVANIZED		59	145951600	ELECTRIC INSULATING DISK D=16	
24	148600600	CABLE CLAMP V0 MAGIC ESP COMBI UL					
25	183910450	POWER CABLE SCHUKO BLACK L=1500					
	183930250	POW.CABLE CH BLACK H05+3FAST.L=1500					
	183940250	BLACK POWER CABLE AUSTR.H05+FAST.L=1500		282133654	ALUM.BOILER WITH RESISTANCE SMART 100V	COMPLETE	
	183980450	POWER CABL.JAPPON VCTF BLACK L=1590		282133658	ALUM.BOILER WITH RESISTANCE SMART 230V	COMPLETE	
							WITH PART. POS. N° 13-14-26-27-28-29-30-31-32-33
26	9011.132	SPRING FOR PIN					40-42-43-44-47-49-50-51-52-53-54-55-57-58-59
27	227480203	BRASS/NIK.PIN FOR PISTON L=20,9					
28	227874500	CONNECTOR AS.TEFLON 2X4 L=330 MM					
29	227660103	BRASS PISTON L=20,9 ASSY.					
30	140320459	OR METRICO 0080-20 SILICON.PTFE/FDA					
31	9011.100	PEG FOR VALVE IN PLASTIC					
32	NM01.035	OR ORM 0090-20 SILICONE					
33	NM01.057	OR ORM 0050-20 SILICONE					
34	NE05.038	MICROSWITCH					
35	9121.046	SINTERED BUSH FOR MOTOR					
36	148380200	WASHER BAKELIZZATE D=5,5					

Saeco SUP 021 Y
INTERNATIONAL GROUP



Saeco SUP 021 Y
INTERNATIONAL GROUP

CE Cod. 1000071-114-220-502

POS	CODE	DESCRIPTION	NOTE	POS	CODE	DESCRIPTION	NOTE
01	129511803	SCREW TCB 2,9X6,4 DIN 7981 NICK		38	283544900	2POLES CONN.AS.COF.GRIN.JP1 33MH CA	230V
02	148650250	SECTOR GEARGRIND ADJUSTMENT KNOB COMBI			283544955	2POLES CONN.AS.COF.GRIN.JP1 33MH CA	120V
03	149186150	BLACK UPPER GRINDER SUPPORT MAGIC		39	186724200	MICROSWITCH SAIA X3M502K2KAJ32AV	
04		PARTICULAR NOT AVAILABLE	SEE PART. N°9	40	149194500	FAUCET SUPPORT SMART	
05	129931002	TORX SCREW T10 TCB 3,5X40 SX ZNG		41	129660902	PANELVIT TCB SCREW 3,5X12 D.7505 Z	
06	142844550	UPPER GRINDER COVER COFFEE GRIND. MAGIC		42	147756400	PROTECTION FAUCET BODY WATER/STEAM	
07	147470763	INCREASE SCREW PIN COFFEE GRINDER MAGIC		43	9161.345.050	INT.COVERING BLACK PUMP SPACE	
08	U201.002	PLAIN WASHER 10X16X0,2DIN 988 GAL		44	9161.332.050	EXT.COVERING BLACK PUMP SPACE	
09	226473500	KIT TECNA GRINDERS	WITH PART. N°4	45	9011.144	FORK FOR TUBE D.4	
10	128610521	STAIL. STEEL AISI 304 SPHERE D=5,5MM		46	227660303	BRASS PISTON L=15,1 ASSY.	
11	126765517	STEEL SPRING SPHERE D=5,5 MOTOR MAGIC		47	126765317	STEEL SPRING BOIL. PISTON MAG.9011	
12	149188750	CONICAL GRIND. SUPP. + RING MAGIC		48	148440150	FAUCET BODY MOD.	
13	229381408	CHROMED STEAM TUBE AS.SMART		49	229190503	CAP FOR FAUCET NESPRESSO BRASS/NIK.	
14	140360200	FELT RING 40X34X5		50	140328059	OR 2015 IN SILICONE PTFE/FDA	
15	145895400	INSERT FOR DOSER SMART		51	289202200	THERMAL.PROTECTOR 100°C	
16	146570950	RING NUT FOR GRINDING ADJUSTMENT MAGIC		52	283770658	ELECTROM.CABLE L=200 AS.SMART	230V
17	149194200	GRINDER MOTOR SUPPORT SMART			283770755	V2 COFFEE DOSER COIL ASS.	120V
18	286851858	MOTOR AS.NEW MAGIC DE LUXE	230V	53	9161.041	DOSER ELECTROMAGNET CORE	
	286851854	MOTOR AS.NEW MAGIC DE LUXE	100V	54	9161.076.150	DOSER DOOR PIN GREY	
19	128610421	STAIL. STEEL AISI 304 SPHERE D=3,2MM		55	126764818	SPRING ELECTROM.BEAN DOSER MAGIC	
20	126770117	NEW SPRING SPHERE D=3,2 MOTOR MAGIG		56	U701.003	SNAP RING 7 UNI 7434	
21	140230400	SHOCK ABS .CONICAL GRINDER SUPP.MAGIC		57	9161.074.150	DOSER DOOR GREY	
22	129660102	PANELVIT TCB SCREW 3,5X18 D.7505 Z		58	9161.048	SCRAPER ROD	
23	U207.004	PLAIN WASHER 4,3X16 UNI 6592 GAL		59	U140.004	PANELVIT TCB 3,0X12 DIN 7505 B GAL	
24	286883758	GENER.MOTOR AS. M5000 (STD/V2)	230V	60	NE05.017	MICROSWITCH	
	286883754	GENER.MOTOR AS. M5000 (STD/V2)	100V	61	149185959	BEAN DOSER MICRO SUPORT MAGIC	
25	227431250	BLACK/BLACK PANNARELLO PLASTIC ASSY.		62	148700559	COFFEE DOSER DOSE ADJ. SEL. GR MAG	
26	9141.052	COFFEEGRINDER REINFORCING RING		63	227701304	STEAM KNOB ZAMAS CHROM.PLATED SMART	
27	147572150	PLATE FIXING TOOTHED SLIDE SMART		64	140640300	FAUCET SHAFT FOR SMART	
28	148740550	TOOTHED SLIDE FOR DOSE ADJUST SMART		65	140328561	OR D=4,18 X 1,90 IN TERMOIL	
29	145851862	GROUND COFFEE OUTLET SEAL SMART		66	NF11.052	OETIKER CLIP	
30	9991.103	ANTIVIBRATION FOR COFFEEGRINDER		67	126772018	SPRING DI=7,5 FOR FABRIC FINISH TUB	
31	147531500	GRINDER SUPPORT PLATE P107		68	JS01.019	SILIC. TUBE FABRIC FINISH 3X7 ROL	
	147531518	GRINDER SUPPORT PLATE P107/UL		69	9160.074.150	GREY BREW UNIT SMART/ELFO	
32	129670202	PANE. TCB SCREW 3,5X16 TESTA D=8 Z		70	145852560	GROUND COFFEE CONT.SEAL LOWER SMART	
33	9161.122.150	DOSE ADJUSTMENT LEVER GREY CLASSIC		71	222520550	SPHERICAL CAPPUCINATORE ASS.BLACK	
34	145895350	BLACK INSERT FOR MOUNT.PLATE SMART		72	149360400	SILICONE TUBE 3,5X6	IN ROLL
35	227533000	ASSEMBLY BOILER SUPPORT PLATE SMART		73	227910650	90 DEG CONN. (FIXED) CAPPUCINAT.BLACK	
36	9161.333.050	BOILER BLACK COVER		74	11001977	BLACK GEN. SPHERICAL CAPPUCINATORE AS.	
37	129535721	SCREW TSP3,5X9,5 DIN 7982 SS					

Saeco SUP 021 Y
INTERNATIONAL GROUP